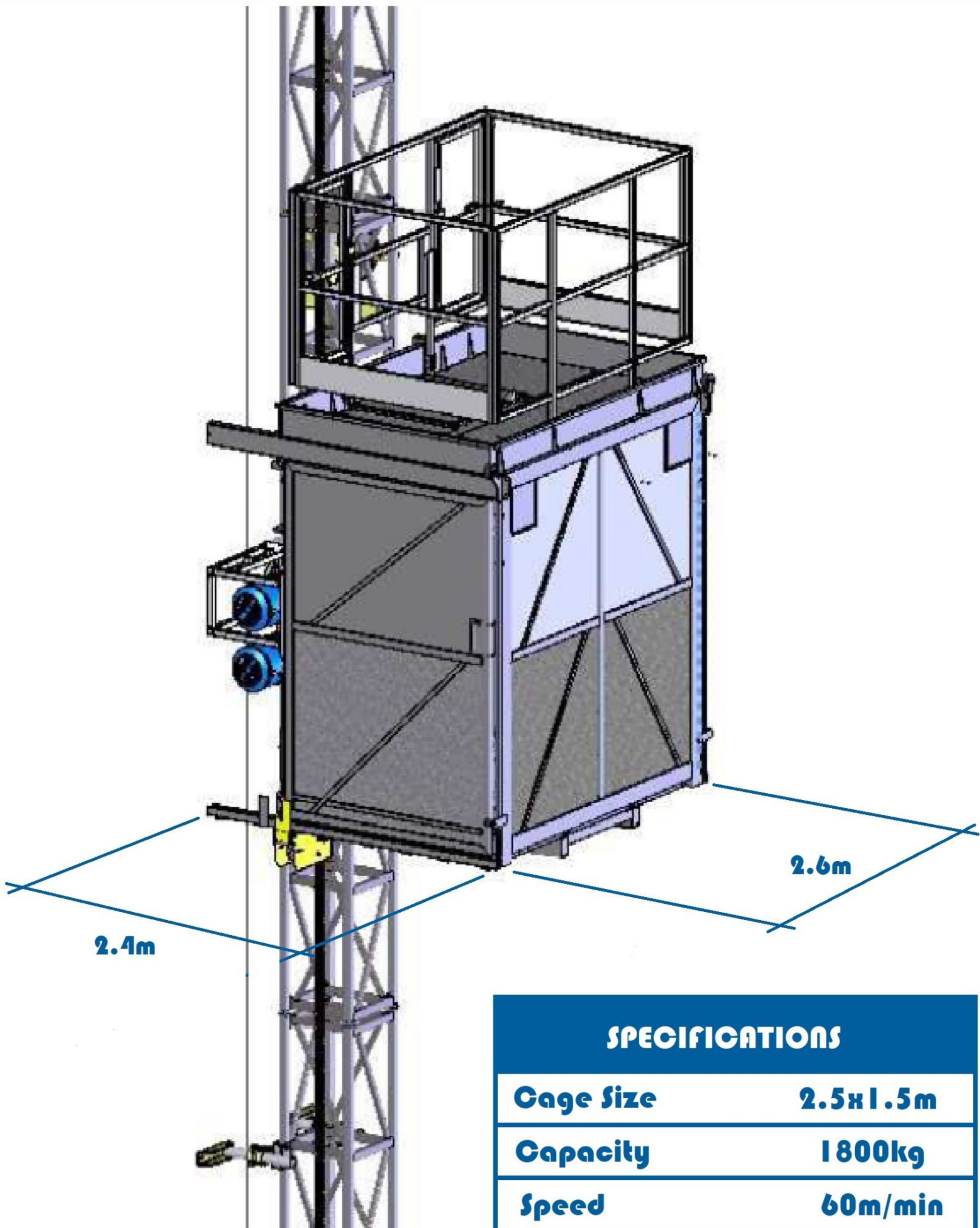




# MABER

# Lift Shaft Hoist



## SPECIFICATIONS

<b>Cage Size</b>	<b>2.5x1.5m</b>
<b>Capacity</b>	<b>1800kg</b>
<b>Speed</b>	<b>60m/min</b>
<b>Motor &amp; Power</b>	<b>2x15kW 60A</b>
<b>Auto floor Stop</b>	<b>Yes</b>

Distributed By

**Ausstie**  
**HOIST**